

50/75/100 SERIES



- Allows a temperature instrument to be removed and replaced without shutting down and draining the process
- Reduces the possibility of damage to the temperature instrument
- Provides protection to the operator
- 1/2" NPSM instrument connection, 3/4" NPT process connection standard - 1/2" NPT, 1" NPT, flanged and sanitary options available
- 150 Class and 300 Class raised face flanged thermowells available
- The Female thread will accept the 1/2" NPT Male thread without galling or seizing
- Brass, 304 Stainless Steel, or 316 Stainless Steel standard material options - other options available
- Standard style is stepped; available in straight and tapered
- Different lagging lengths are available

APPLICATIONS

- Recommended wherever the process being measured is under pressure, corrosive, abrasive, or moving at a high velocity
- HVAC
- Petrochemical
- Oil and gas
- Process (flanged thermowells)

SPECIFICATIONS

Bore size	0.260" (6.35 mm)
Process connection	1/2" NPT, 3/4" NPT, 1" NPT
Instrument connection	1/2" NPSM
Materials	316 Stainless Steel, 304 Stainless Steel, Brass
Pressure rating	316 and 316 Stainless Steel: 7,000 psi @ 70 °F Brass: 5,000 psi @ 70 °F
Style	≤4": Straight shank >4": Stepped shank
Maximum shank diameter	0.750" (19.05 mm)



WARNING: This product can expose you to chemicals including Lead, which is known to the State of California to cause cancer and birth defects or other reproductive harm. For more information go to www.P65Warnings.ca.gov



WARNING: This product can expose you to chemicals including Chromium (VI) and Nickel, which are known to the State of California to cause cancer and birth defects or other reproductive harm. For more information go to www.P65Warnings.ca.gov

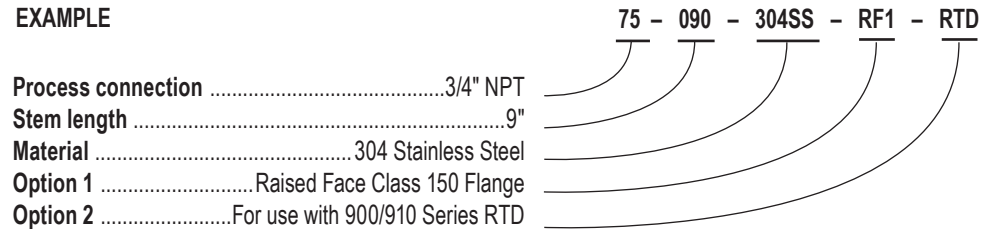
ORDERING INFORMATION						
PROCESS CONNECTIONS	50	1/2" NPT only	100	1" NPT or Flange Connection *	200	2" Flange Connection *
	75	3/4" NPT only	150	1-1/2" Flange Connection *		
STEM LENGTHS	025	2-1/2" **	120	12"	25mm	25 mm
	040	4" **	150	15"	50mm	50 mm
	060	6"	180	18"	100mm	100 mm
	090	9"	240	24"	150mm	150 mm
MATERIALS	Brass	Brass	304SS	304 Stainless Steel	316SS	316 Stainless Steel
	Other materials available on request					
OPTIONS	1/4	1/4" NPT Instrument Connection	PC	Plug and Chain	RF2	Raised Face 300 Class Flange
	3/8B	3/8" Diameter Bore	RF1	Raised Face 150 Class Flange	RTD	For use with 900/910 Series RTDs

Please consult your local NOSHOK Distributor or NOSHOK, Inc. for availability and delivery information.

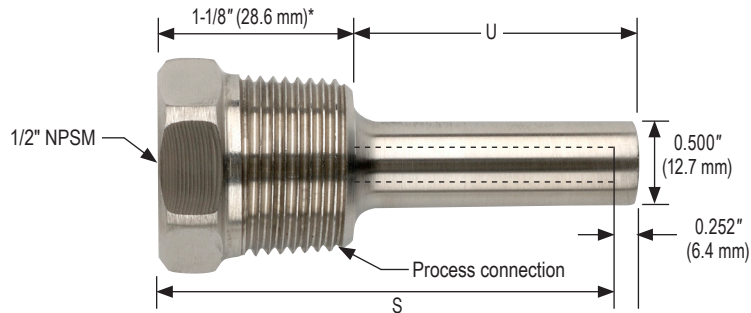
* To order a Flange Connection, you must specify Option RF1 or RF2. Flange Connections available only in Stainless Steel.

** Flange Connection not available.

EXAMPLE

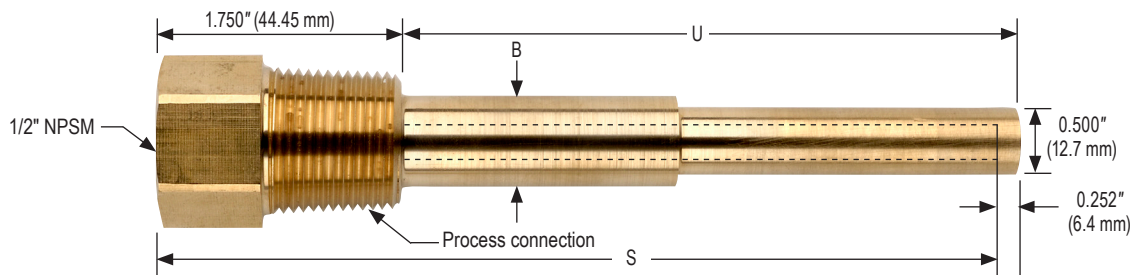


Straight Shank



*1-3/4" (44.5 mm) for 040 Ordering Code

Stepped Shank

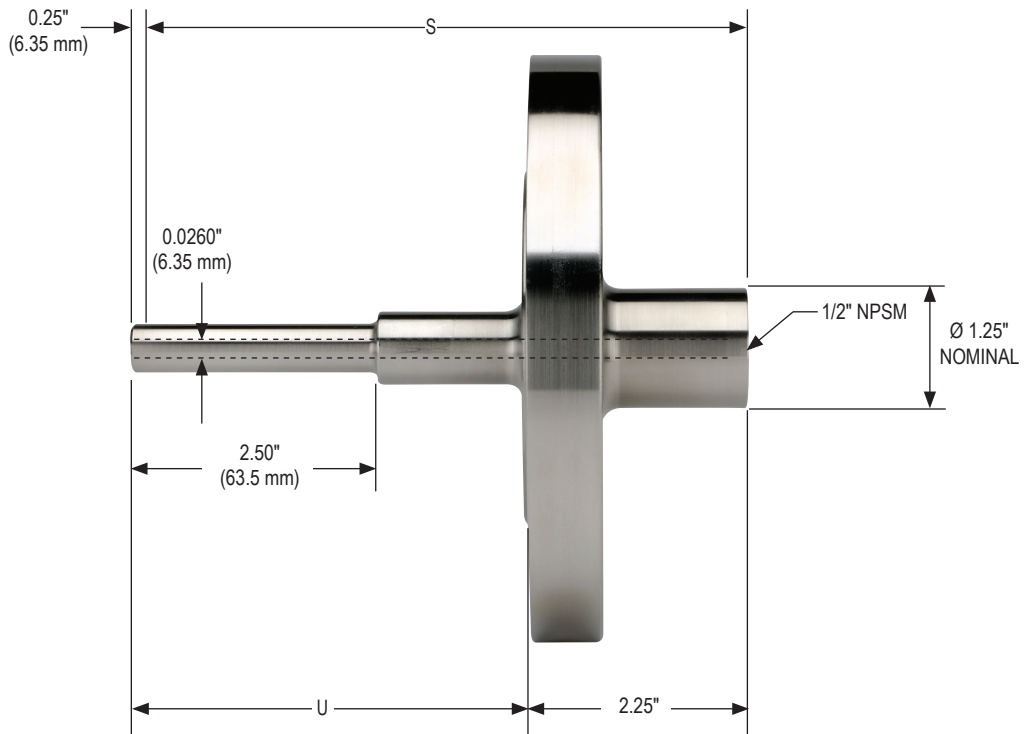


Bore Size	"B" Maximum Insertion Diameter
0.260" (6.35 mm)	3/4" (19.05 mm)

		Straight			Stepped				
Insertion "U"	mm	41.3	63.5	114.3	190.5	266.7	342.9	419.1	571.5
	inch	1-5/8	2-1/2	4-1/2	7-1/2	10-1/2	13-1/2	16-1/2	22-1/2
Bore Depth "S"	mm	63.5	101.6	152.4	228.6	304.8	381.0	457.2	609.6
	inch	2-1/2	4	6	9	12	15	18	24
Ordering Code		025	040	060	090	120	150	180	240

Flange Connection Thermowell dimensions on next page.

RF1 150 Class & RF2 300 Class Raised Face Flanges



RF1 Class 150 Flange / RF2 Class 300 Flange							
Insertion "U"	mm	101.6	177.8	254.0	330.2	406.4	558.8
	inch	4	7	10	13	16	22
Bore Depth "S"	mm	152.4	228.6	304.8	381.0	457.2	609.6
	inch	6	9	12	15	18	24
Ordering Code		060	090	120	150	180	240

Note: NOSHOK Thermowells are provided with NPSM internal thread connections. This female connection may be used with NPT or NPSM mating threads. The NPSM thread provides a better mechanical connection without seizing or galling.